



Supporting a wide range of Sony CCD sensors, these flexible cooled cameras meet the needs of most scientific OEM and microscopy users. The VS series is the ideal versatile solution for any low light application. Among the vast range of features is the optional five position filter wheel that allows filters to be loaded without opening the camera. This feature provides the benefit of simplifying the designer's task of integration and is emblematic of Atik's design philosophy of providing advanced, user-friendly imaging technology.

The base level VS models can be customised to suit the requirements of specific OEM applications with integration assistance from our in-house engineering team, so please contact us to discuss your needs.

Key Benefits

- Take multiple images in quick succession
- High levels of reproducibility of images
- Save time through the ability to load filters without opening the camera
- Reliable and robust
- Customisable to your specific requirements
- Low dark current ensures highest quality images under low light conditions.

Available Accessories

- Universal Power Supply (90-240VAC)/DC 12V

Key Features

- 16 bit low noise mode
- Faster image acquisition at 6MPixels
- Extended operating range with -35°C cooling delta
- Argon back-filled sensor chamber
- External control via RJ12 connector
- 8 bit mode for faster image acquisition
- Live view provides up to 24 fps for easy focussing
- Asymmetric pixel binning for spectroscopy applications
- 5 position integrated filter wheel
- Manufactured at our ISO 9001 accredited European premises
- Available as a board set

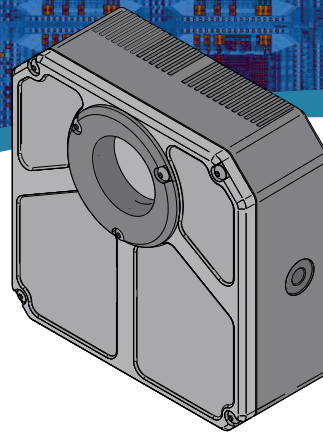
Software Development Kit (SDK)

- C++ Library covering all camera functions
- .net Wrapper
- ImageJ plug in
- LabView Driver
- Linux Driver
- Visual Basic wrapper

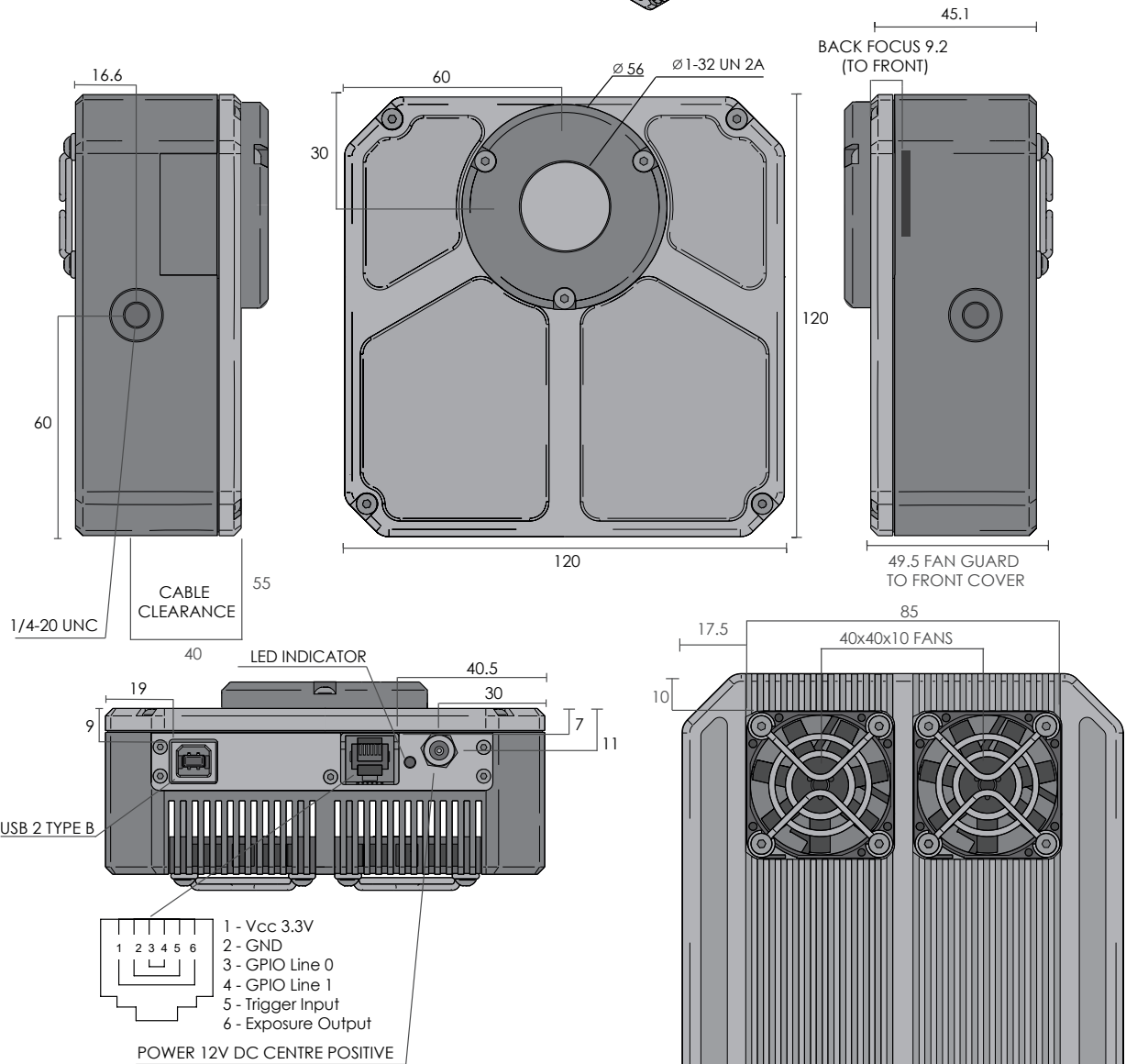
Ordering Codes VSXX -Y - Z

- XX: Model number
- Y: M = Monochrome, C = Colour
- Z: S = Standard, F = Integrated filter wheel

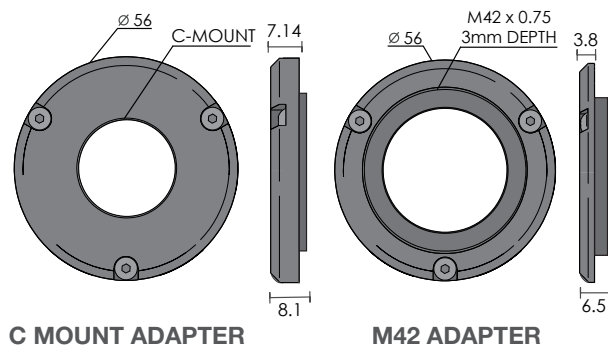
Atik VS Series					
Model	Sony Sensor	Diag. mm	Format (Type)	Resolution HxV Total	Pixel size µm
VS14	ICX-285	11	2/3	1392 x 1040 1.4 Megapixels	6.45
VS20	ICX-274	8.923	1/1.8	1620 x 1220 2.0 Megapixels	4.40
VS28	ICX-674	10.972	2/3	1460 x 1932 2.8 Megapixels	4.54
VS50	ICX-655	11.016	2/3	2448 x 2050 5.0 Megapixels	3.35
VS60	ICX-694	15.99	1	2750 x 2205 6.0 Megapixels	4.54
VS92	ICX-814	15.972	1	3450 x 2704 9.2 Megapixels	3.69

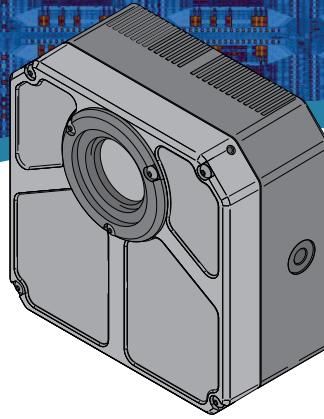

**VS Series
 Mechanical Drawing
 (without optional filter wheel)**

All dimensions in mm


For enquiries, please contact:
Atik Cameras

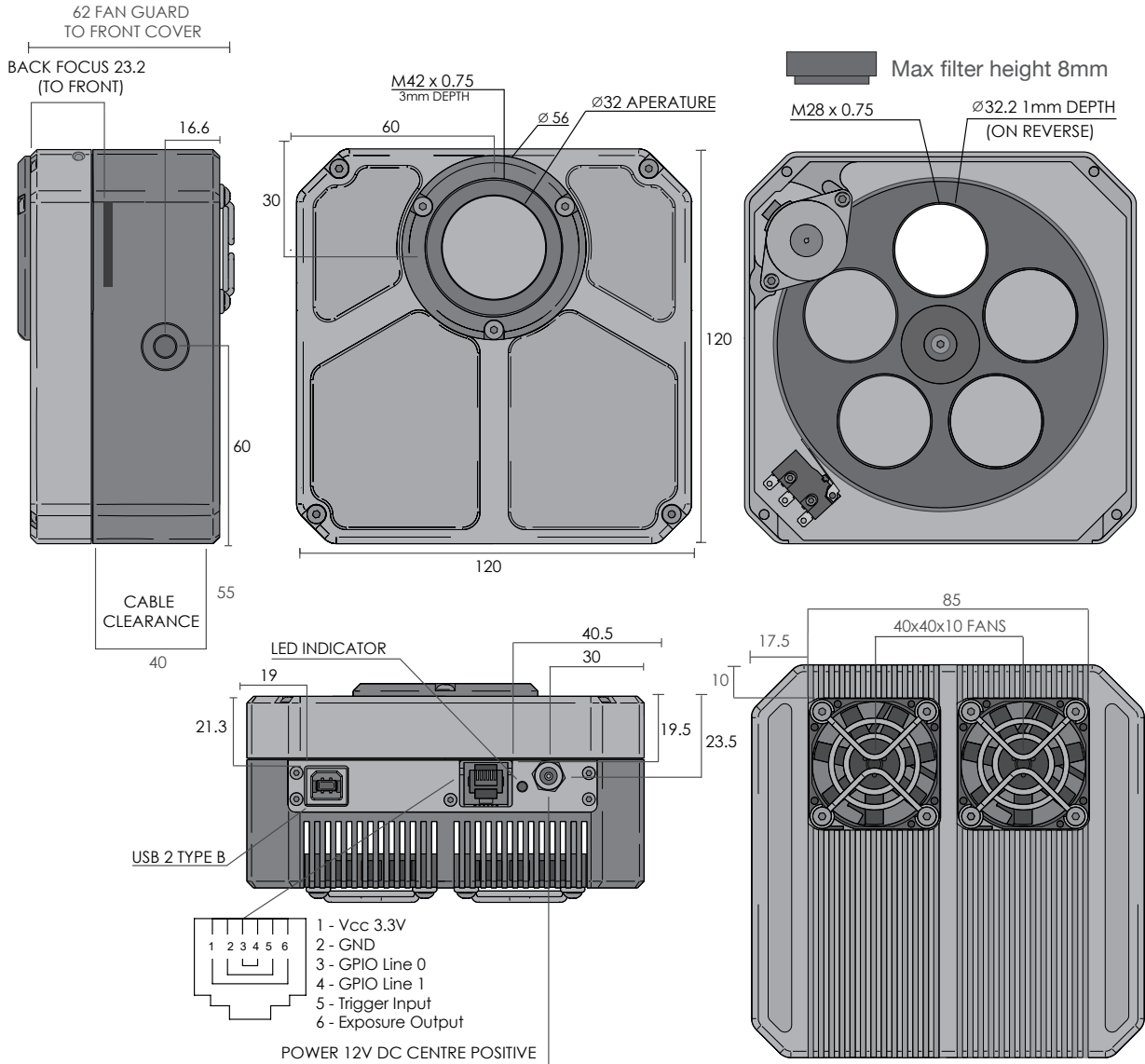
 Unit 8 Lodge Farm Barns, New Road, Bawburgh
 Norwich, NR9 3LZ, United Kingdom

T: +44 (0)1603 740397
F: +44 (0)1603 340600
E: sales@atik-cameras.com
W: www.atik-cameras.com
Adapter options




VS Series Mechanical Drawing (with optional filter wheel)

All dimensions in mm



For enquiries, please contact:

Atik Cameras

Unit 8 Lodge Farm Barns, New Road, Bawburgh
Norwich, NR9 3LZ, United Kingdom

T: +44 (0)1603 740397

F: +44 (0)1603 340600

E: sales@atik-cameras.com

W: www.atik-cameras.com

Adapter options

