

## KEY FEATURES

- ❖ Fully supports Base/Medium/Full/Deca configurations for Camera Link™ cameras/frame grabbers
- ❖ Provides 850 Mbytes/s effective image data bandwidth
- ❖ Direct plug – no electrical camera link cable needed
- ❖ Minimum only 2 fibers are required with two simplex LC fiber connectors
- ❖ Support PoCL function for powering cameras
- ❖ Single 5V~24V DC power supply
- ❖ Included international AC/DC adapters accepting 100~240V AC power
- ❖ Transmission distance up to 300m with OM3 multimode fiber and up to 80km with single mode fiber.
- ❖ Compact size – 59L x 39.4W x 17H mm (2.326L x 1.551W x 0.669H inch)

## TARGET APPLICATIONS

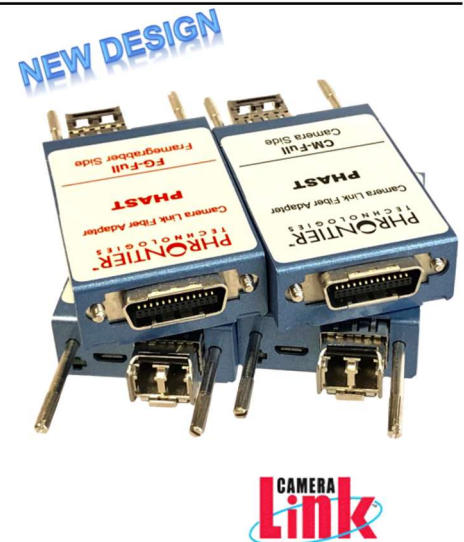
- ❖ Solar panel or glass panel inspection
- ❖ Semiconductor wafer inspection
- ❖ High speed printing inspection
- ❖ High precision surface inspection (e.g. airplane surface or automobile painting)
- ❖ Automated product inspection (e.g. food, drinking or pharmaceutical products)
- ❖ High resolution and real-time analysis for science, sports, automobile tests, and 3-D animation.
- ❖ High precision security surveillance (e.g. border control, airport)
- ❖ Traffic surveillance/control and vehicle license plate reading/recording (e.g. toll booth)
- ❖ Cameras placed in harsh environment (e.g. nuclear plant, steel mill or undersea monitoring)
- ❖ Other Machine Vision Applications

**PHRONTIER™**  
TECHNOLOGIES

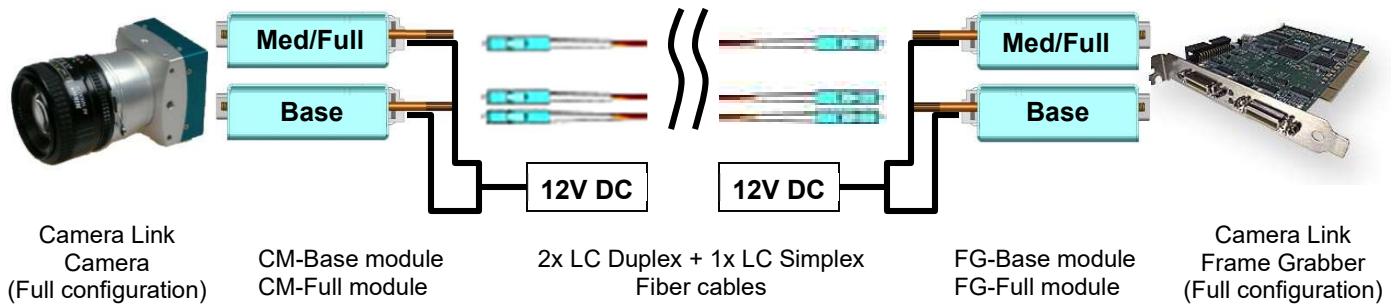
## PHAST™ Camera Link Fiber Adapter

## Base/Medium/ Full/Deca Configurations

**PHF-FM-300**  
**PHF-FL-xx**  
**PHF-FB-xx**  
**PHF-FC-10-BxxFxx**



## TYPICAL SET UP DIAGRAM



## TECHNICAL SPECIFICATIONS

### General Specification

Standard Operating Temperature	Ambient	0 ~ 50 °C	Case	0 ~ 60 °C
Extended Operating Temperature	Ambient	-40 ~ 65 °C	Case	-40 ~ 75 °C
Storage Temperature	-40 ~ 85 °C			
Input Voltage	DC 5 ~ 24 V			
Typical Supply Current @12V DC <sup>1</sup>	CM-base + CM-full	PHF-FM-300	0.28 Amp	
		PHF-FL-10	0.34 Amp	
	FG-base + FG-full	PHF-FM-300	0.35 Amp	
		PHF-FL-10	0.38 Amp	
Typical Power Consumption @12V DC <sup>1</sup>	CM-base + CM-full	PHF-FM-300	3.4W	
		PHF-FL-10	4.1W	
	FG-base + FG-full	PHF-FM-300	4.2W	
		PHF-FL-10	4.6W	
Connector Type	Micro USB type B with custom pin assignment			
Approx. Weight per module	75 gram			

Note 1. Measured at room temperature.

### Camera Link Interface

Pixel Clock Range	20 ~ 85MHz		
Supported Camera Configuration	Base, Medium, Full, 10taps x 8bits, 8taps x 10bits		
Effective Data Throughput	850 Mbytes/s		
Connector Type	MDR26 plug		
Signal Latency	Image	2.5 μs	
	SerTFG	1 μs	
	CC1~4	0.32 μs	
	SerTC	0.26 μs	

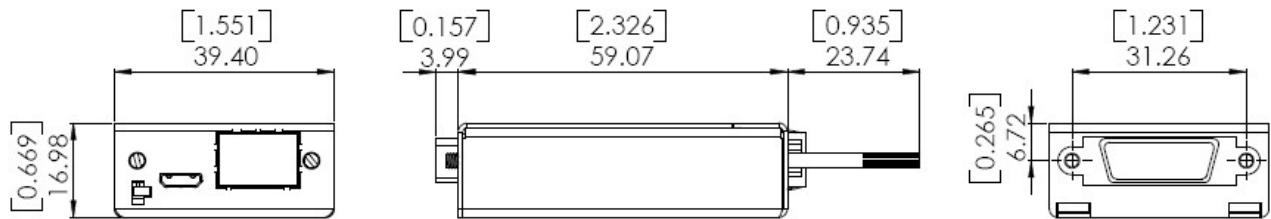
## Optical Interface

	PHF-FM-300	PHF-FL-10	PHF-FB-10	PHF-FC-10 <sup>2</sup>
Operating Wavelength	850nm	1310nm	1270/1330/ 1310 nm	User define
Average Tx Output Power	-5 to -1 dBm	-8.2 to +0.5 dBm	-8.2 to +0.5 dBm	-4 ~ +3 dBm
Min. Optical Rx Input Power	-11.1 dBm	-14.4 dBm	-14.4 dBm	-14.4 dBm
Total Fiber Counts	3	3	2	3
Connector Type	1x LC duplex 1x LC simplex	1x LC duplex 1x LC simplex	2x LC simplex	1x LC duplex 1x LC simplex
Fiber Type	OM3	SM	SM	SM
Estimated Link Distance	300m	10km	10km	Setup dependent

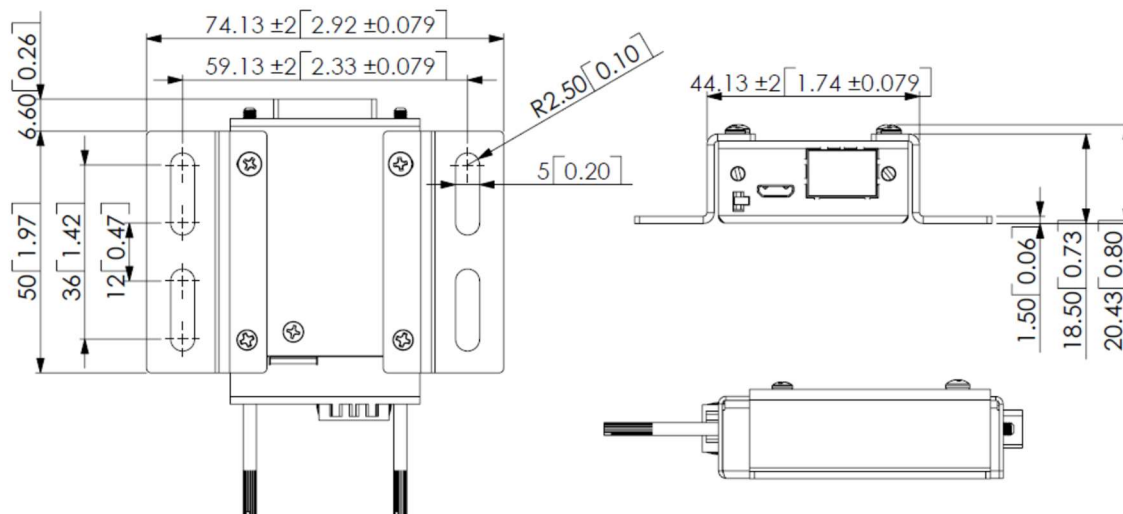
Note 2. More power options are available. Please see ordering information.

## MECHANICAL INFORMATION (mm [inch])

### Module dimensions

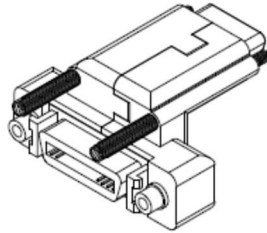
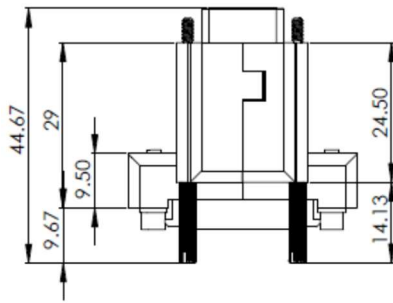


### With Mounting Flange Options

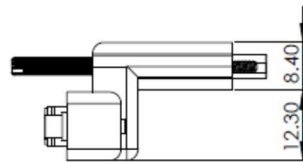
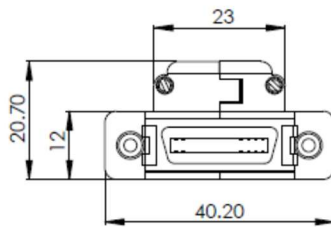
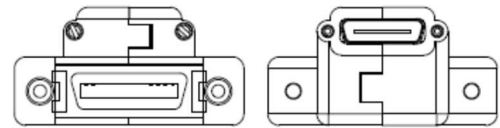


# PHAST Series

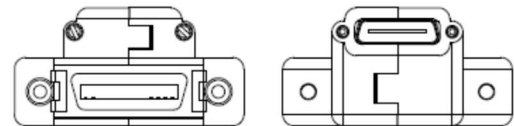
## SDR plug to MDR receptacle adapter



Down angle configuration



Up angle configuration



## ORDERING INFORMATION

### Standard Models

Model #	Estimated Link Distance	Fiber counts	Items Included
<b>PHF-FM-300</b>	300m with OM3 fiber	3	1x CM-Base (for camera Base port) 1x CM-Full (for camera Full port)
<b>PHF-FL-10</b>	10km	3	1x FG-Base (for grabber Base port) 1x FG-Full (for grabber Full port)
<b>PHF-FB-10</b>	10km	2	2x 12V DC output international wall mount AC/DC power adapters with cable assembly (Fiber cables are not included)

### Extended Temperature Models

Model #	Estimated Link Distance	Fiber counts	Items Included
<b>PHF-FM-300-T</b>	300m with OM3 fiber	3	1x CM-Base (for camera Base port) 1x CM-Full (for camera Full port)
<b>PHF-FL-10-T</b>	10km	3	1x FG-Base (for grabber Base port) 1x FG-Full (for grabber Full port)
<b>PHF-FB-10-T</b>	10km	2	2x 12V DC output international wall mount AC/DC power adapters with cable assembly (Fiber cables are not included)

# PHAST Series

**CWDM models** (users need to specify wavelengths for CM and FG modules)

Each system requires different wavelengths. For example, using 1270, 1290 and 1310nm with 10dB power budget for a PHAST system will include PHF-FC-10-B27F31-CM and PHF-FC-10-B29F31-FG.

Model #	Power Budget	Fiber counts	Optical Wavelengths	Items Provided
<b>PHF-FC-10-BxxFxx-CM and PHF-FC-10-BxxFxx-FG</b>	10dB	3	xx=27 for 1270 nm xx=29 for 1290 nm xx=31 for 1310 nm xx=33 for 1330 nm xx=35 for 1350 nm xx=37 for 1370 nm	1x CM-Base (for camera Base port) 1x CM-Full (for camera Full port) 1x FG-Base (for grabber Base port) 1x FG-Full (for grabber Full port) 2x 12V DC output international wall mount AC/DC power adapters with cable assembly (Fiber cables are not included)
<b>PHF-FC-14-BxxFxx-CM and PHF-FC-14-BxxFxx-FG</b>	14dB		xx=39 for 1390 nm xx=41 for 1410 nm xx=43 for 1430 nm xx=45 for 1450 nm xx=47 for 1470 nm xx=49 for 1490 nm	
<b>PHF-FC-23-BxxFxx-CM and PHF-FC-23-BxxFxx-FG</b>	23dB		xx=51 for 1510 nm xx=53 for 1530 nm xx=55 for 1550 nm xx=57 for 1570 nm xx=59 for 1590 nm xx=61 for 1610 nm	

## Accessory

Part #	Description
<b>618-MUSB-2</b>	Y-split power cable with Switchcraft TA3MLX
<b>MUSB-2</b>	Y-split power cable with open wire pigtail
<b>618-TRG10R-TA3FX</b>	12V DC international wall mount AC/DC adapter with Switchcraft TA3FX
<b>618-TRG10R-MUSB-2</b>	618-TRG10R-TA3FX + 618-MUSB-2
<b>LC-LC-MD-xxM2</b>	LC to LC duplex 50/125 μm OM2 MM fiber. xx = desired length in meters.
<b>LC-LC-MD-xxM3</b>	LC to LC duplex 50/125 μm OM3 MM fiber. xx = desired length in meters.
<b>PHIRE-W</b>	1 pair of mounting flanges
<b>SDR-MDR-D</b>	SDR plug to MDR receptacle adapter – DOWN configuration
<b>SDR-MDR-U</b>	SDR plug to MDR receptacle adapter – UP configuration



---

The Camera Link™ term and the Camera Link logo are registered trademarks of AIA. Phrontier™ and PHAST™ are trademarks of Phrontier Technologies, LLC. All rights reserved. Copy Right © 2021